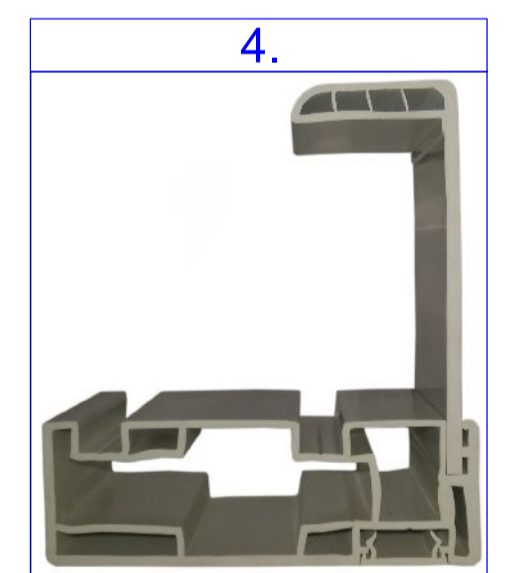
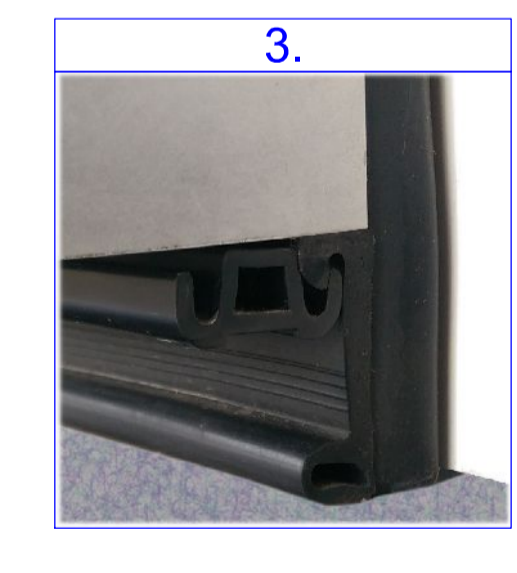
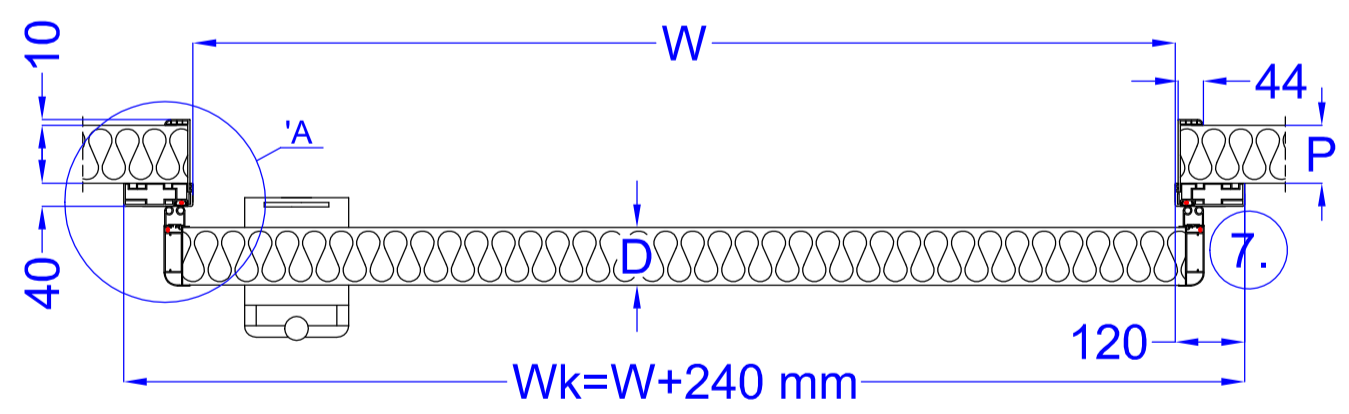


D - Doorleaf thickness 150 mm  
H - Clear opening height  
W - Clear opening width  
P - Panel thickness  
ABS/PVC Inner frame up to 150 mm  
Powder coated steel profile over 150 mm

Cutting size for frame  
W+20 mm  
H+10 mm



	Product	Material	Description
1.	Hangign trolley	Plastic	Adjustable in three directions, reinforced
2.	Opener	Plastic+Stainless	Plastic or stainless lever
3.	Gasket	EPDM	Non-freezing, black colored
4.	Frame	PVC	Extruded plastic profile
5.	Door mechanism	Alu	Custom-made, reinforced design
6.	Heating cable	HDPE	45W/m self-regulating heating cable
7.	Connection Box	PVC/Alu	Alu conn. box, flexible cable, Wago connector

Tárgy:		<b>Igloo Doors</b> <b>IDS150 -25/-40°C</b>	
Dátum:	Ajánlati ref.:		
2017.12.13			Hűtőépítő Kft. 3200 Gyöngyös Kenyérgyár út 9. 06 37 737 500
Tervező:	Oldalak:	1/1 oldal	
Istvánfy András			