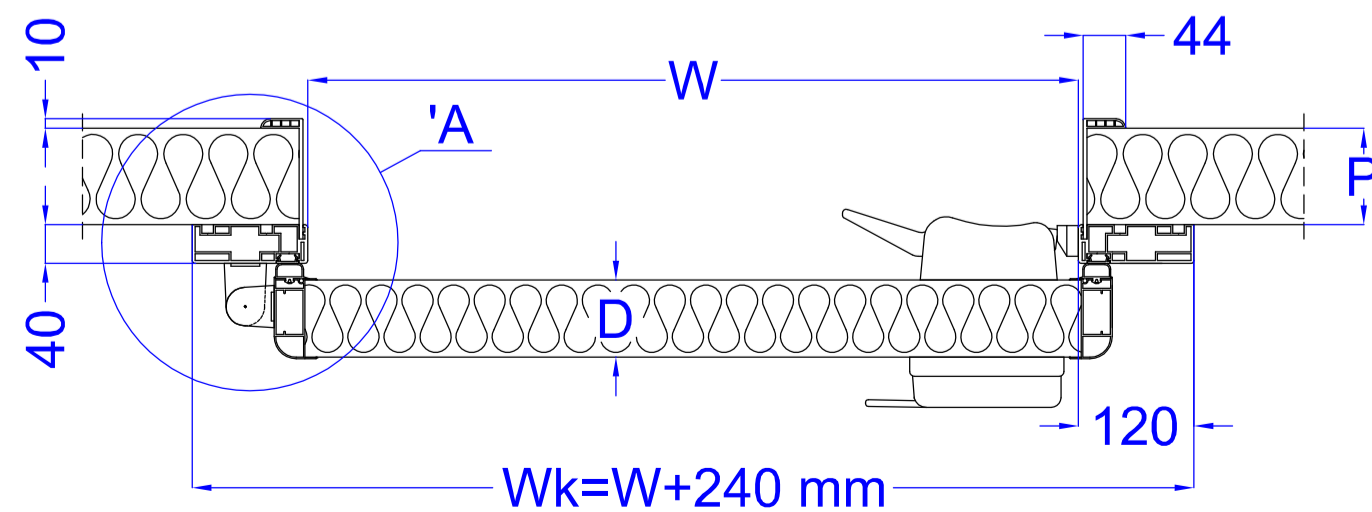
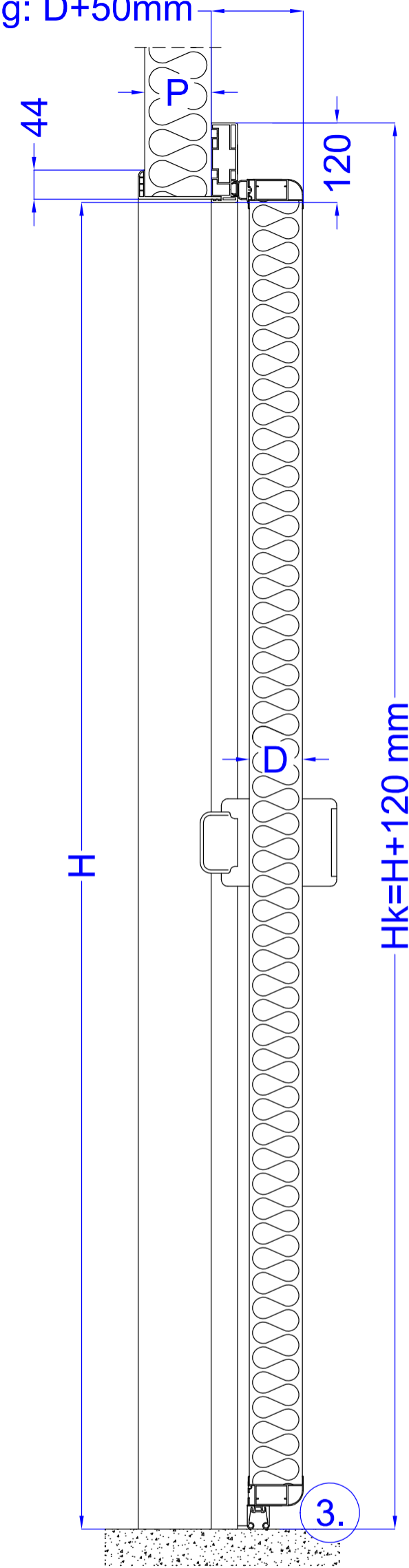
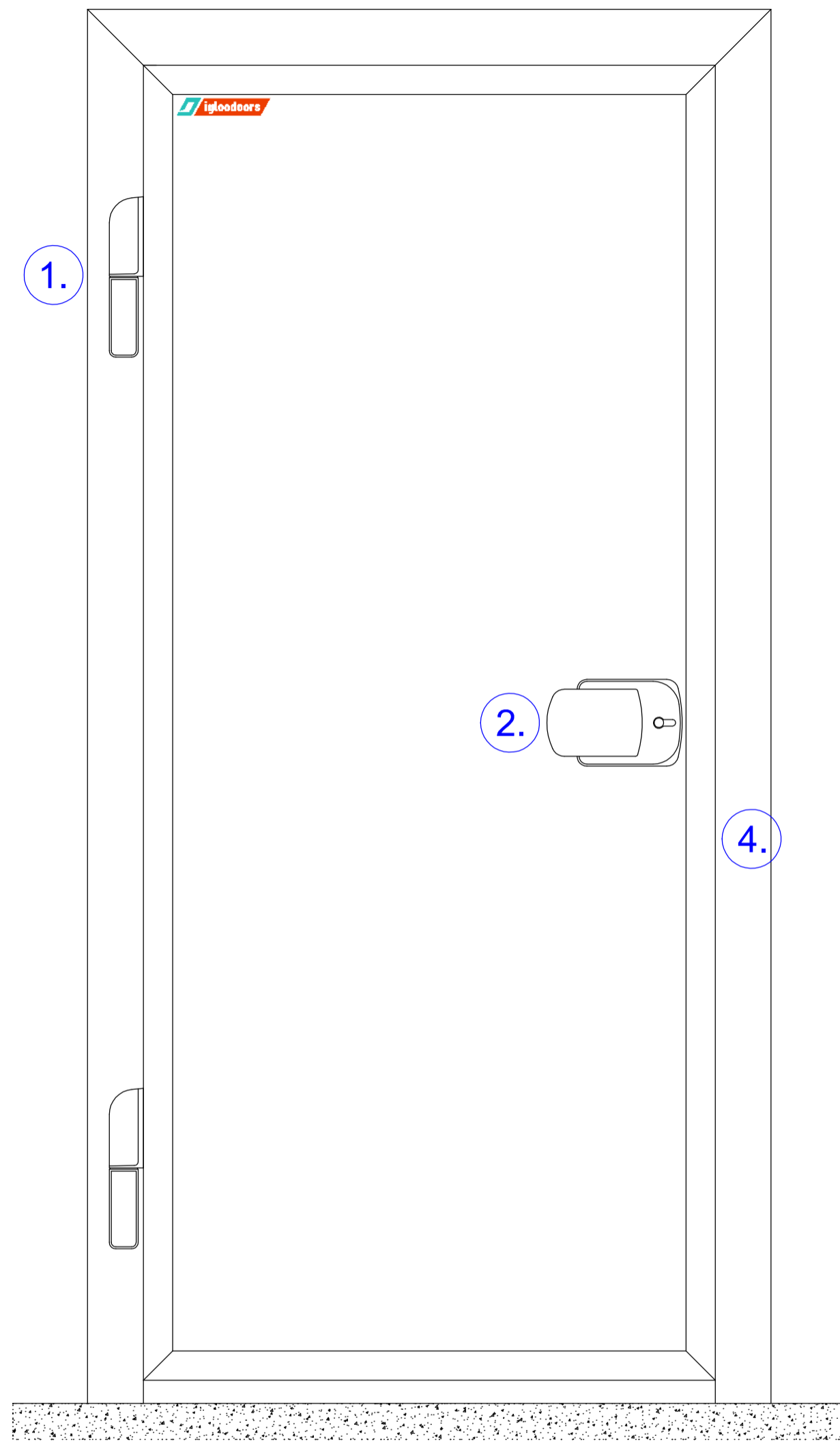


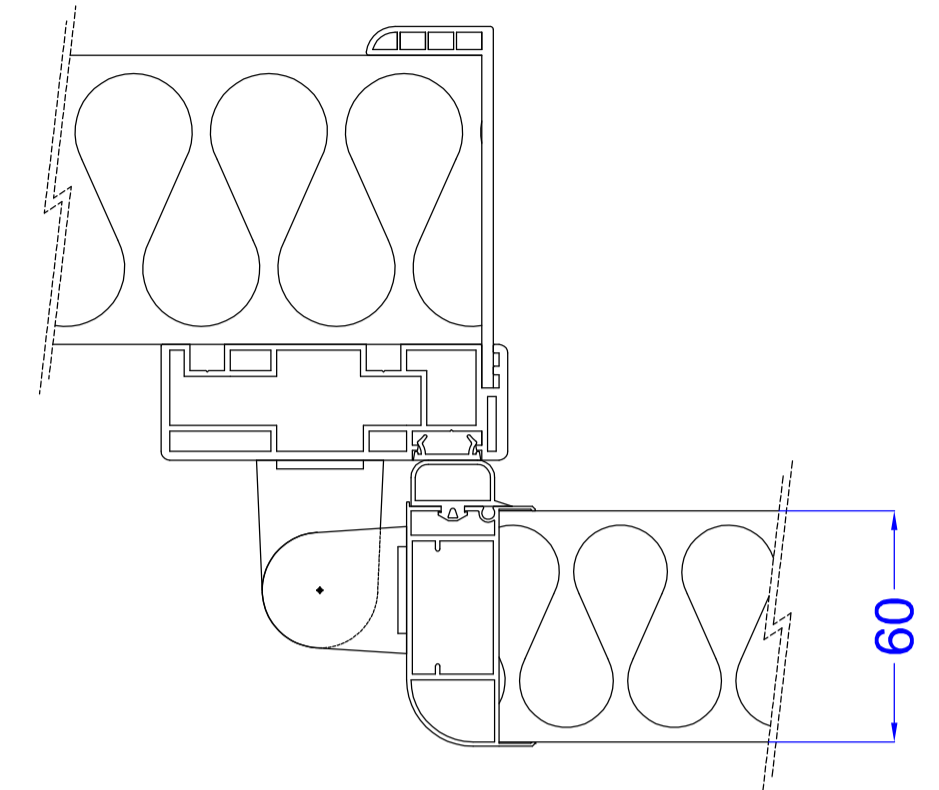
Door overhang: D+50mm



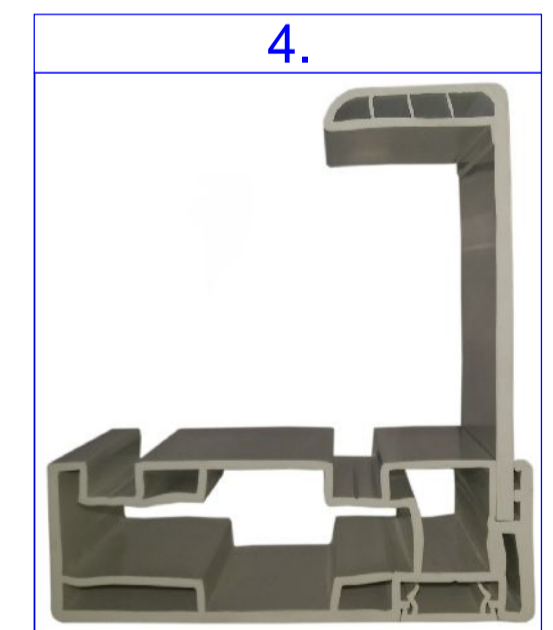
- D - Doorleaf thickness 60 mm
- H - Clear opening height
- W - Clear opening width
- P - Panel thickness
- ABS/PVC Inner frame up to 150 mm
- Powder coated steel profile over 150 mm

Cutting size for frame
W+20 mm
H+10 mm

'A section
M 1:3



	Product	Material	Description
1.	Hinge	Plastic	Adjustable in three directions
2.	Door Handle	Plastic	Lockable with internal panic lock function
3.	Gasket	EPDM	Non-freezing, black colored
4.	Frame	PVC	Extruded plastic profile



Tárgy:		Igloo Doors IDH60 +12/+18°C	
Dátum:			
2017.12.13		Ajánlati ref.:	
Tervező:		Oldalak:	
Istvánfy András		1/1 oldal	