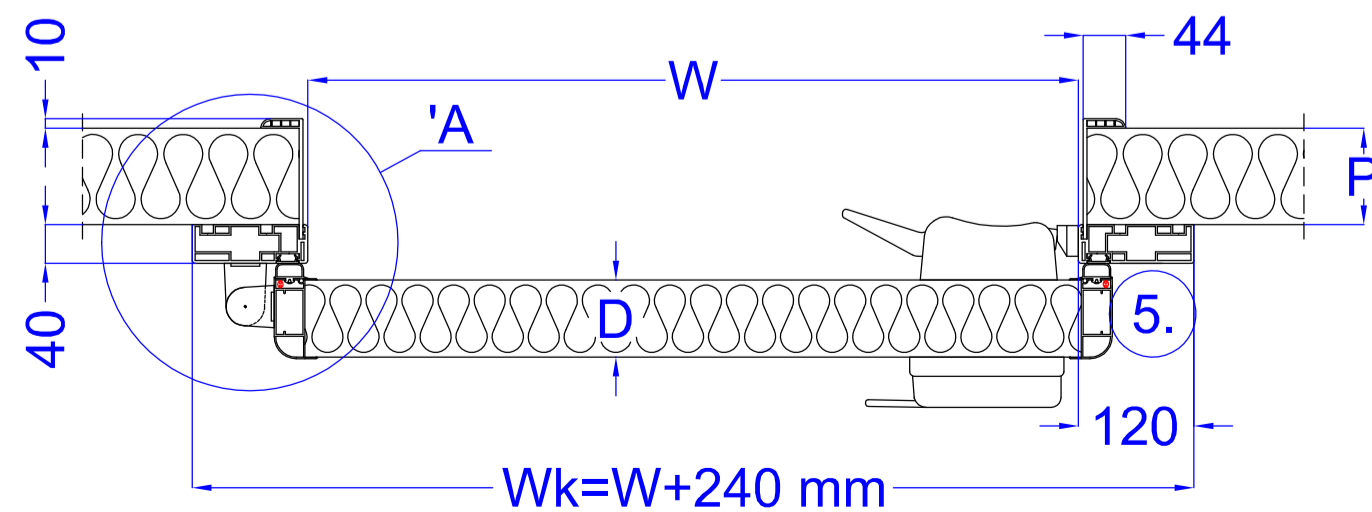
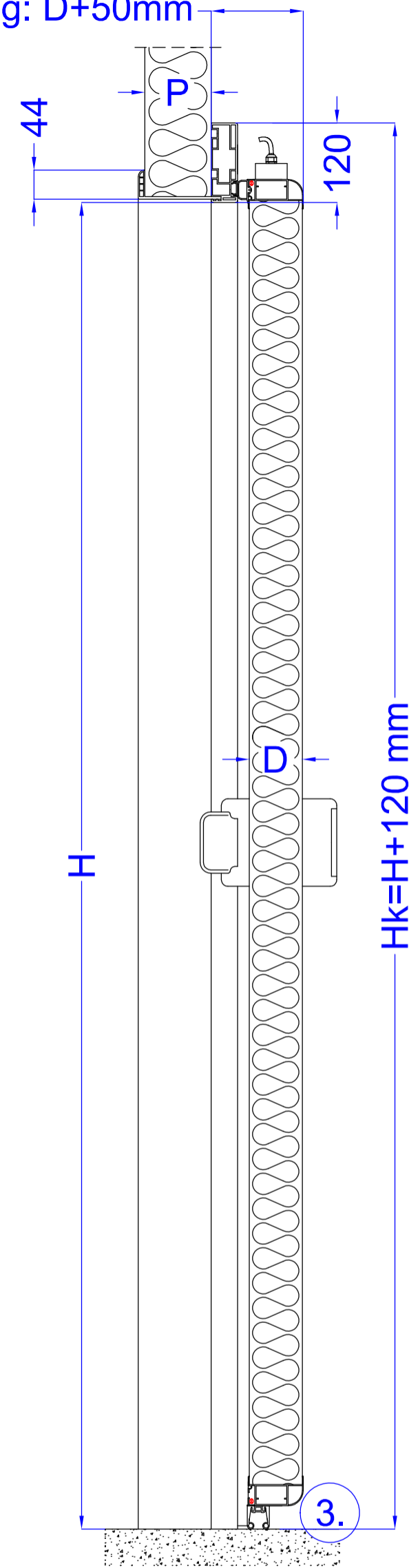
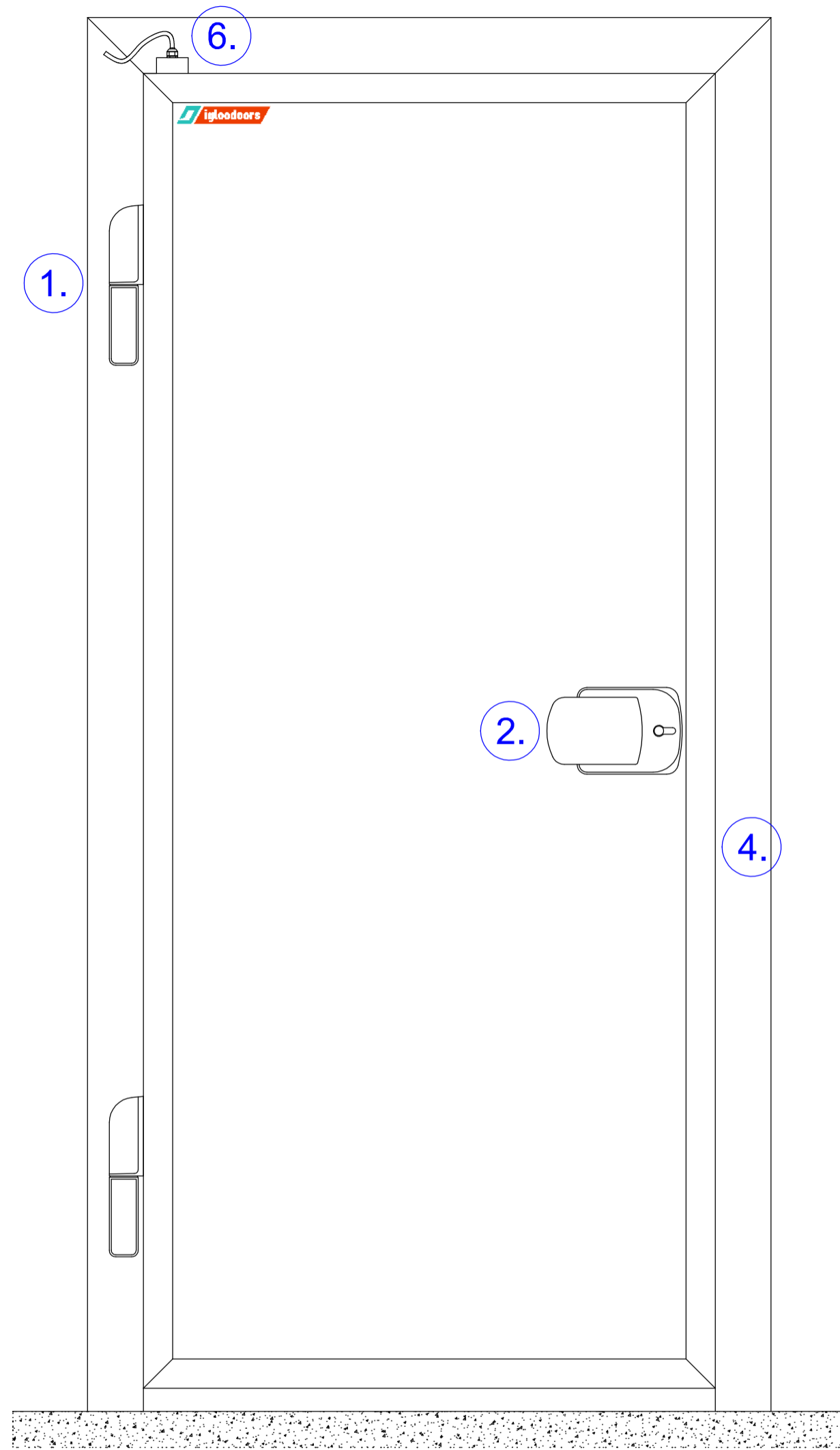


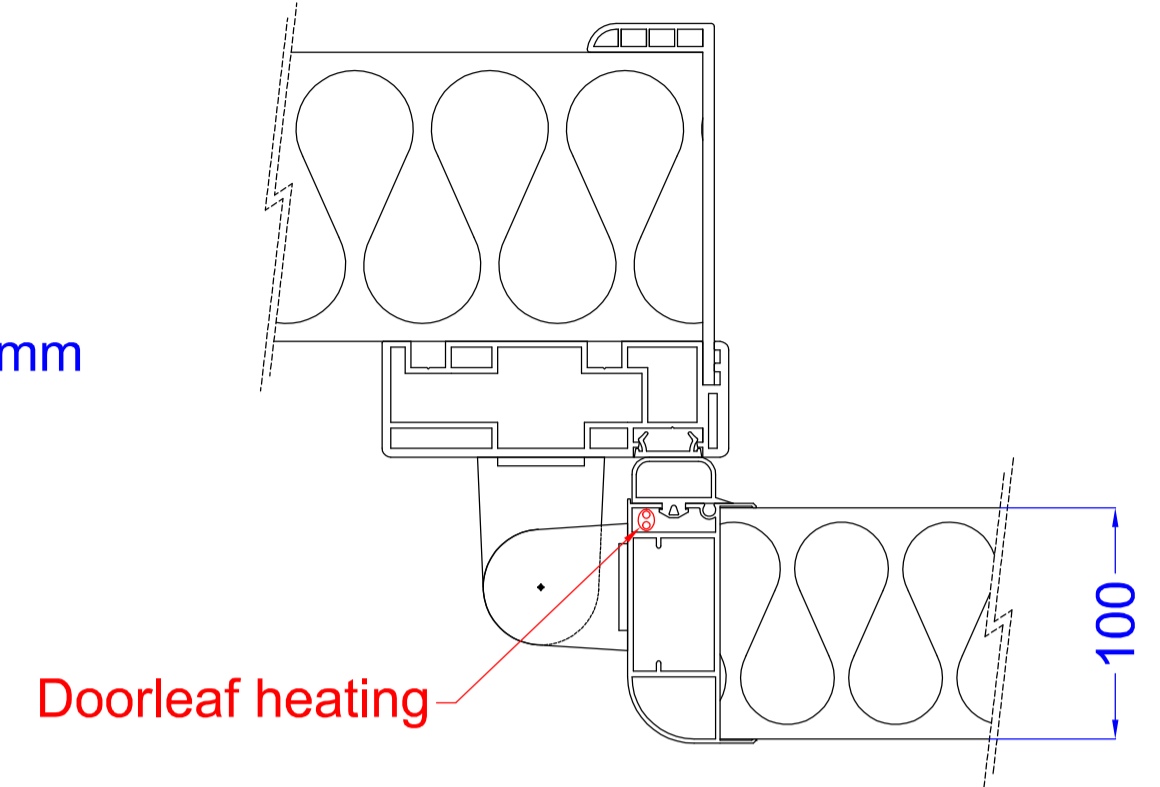
Door overhang: D+50mm



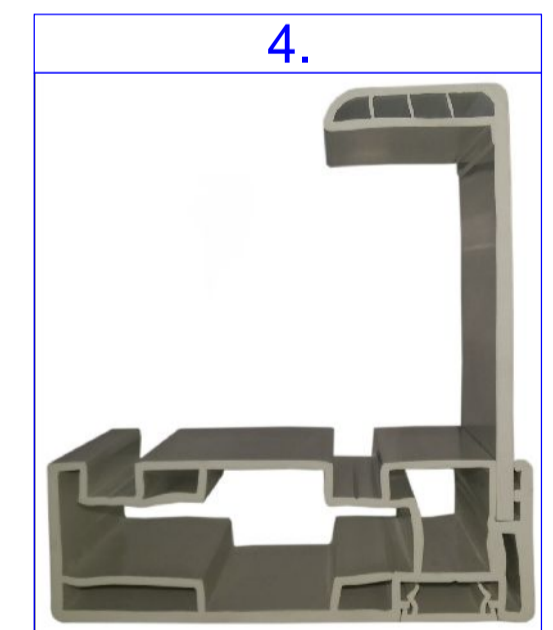
- D - Doorleaf thickness 100 mm
- H - Clear opening height
- W - Clear opening width
- P - Panel thickness
- ABS/PVC Inner frame up to 150 mm
- Powder coated steel profile over 150 mm

Cutting size for frame
W+20 mm
H+10 mm

'A section
M 1:3



	Product	Material	Description
1.	Hinge	Plastic	Adjustable in three directions
2.	Door Handle	Plastic	Lockable with internal panic lock function
3.	Gasket	EPDM	Non-freezing, black colored
4.	Frame	PVC	Extruded plastic profile
5.	Heating cable	HDPE	45W/m self-regulating heating cable
6.	Connection box	PVC/Alu	Alu conn. box, flexible cable, Wago connector



Tárgy:

Igloo Doors
IDH100 -18/-22°C

Dátum:
2017.12.13

Ajánlati ref.:

Tervező:
Istvánfy András

Oldalak:
1/1 oldal



Hűtőépítő Kft.
3200 Gyöngyös
Kenyérgyár út 9.
06 37 737 500